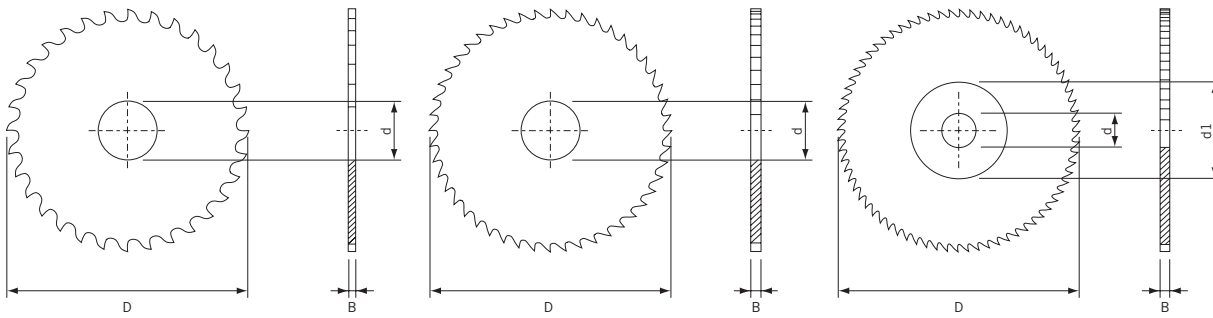


Seghe circolari DIN in HSS

DIN circular saw blades in HSS ■ DIN Metallkreissägeblätter aus HSS



| DIN 1837 "A" Dentatura fine / Fine Toothing / Feingezahnt | | | | | | | | | | | | | |
|---|----|----|-----|-----|-----|-----|-----|-----|-----|-----|-----|-----|-----|
| Ø | 20 | 25 | 32 | 40 | 50 | 63 | 80 | 100 | 125 | 160 | 200 | 250 | 315 |
| Foro centrale/Bore/Bohrung | 5 | 8 | 8 | 10 | 13 | 16 | 22 | 22 | 22 | 32 | 32 | 32 | 40 |
| Spessore/Thickness/Stärke | Z | Z | Z | Z | Z | Z | Z | Z | Z | Z | Z | Z | Z |
| 0,2 | 80 | 80 | 100 | 128 | 128 | | | | | | | | |
| 0,25 | 64 | 80 | 100 | 100 | 128 | 160 | | | | | | | |
| 0,3 | 64 | 80 | 80 | 100 | 128 | 128 | 160 | | | | | | |
| 0,4 | 64 | 64 | 80 | 100 | 100 | 128 | 160 | | | | | | |
| 0,5 | 48 | 64 | 80 | 80 | 100 | 128 | 128 | 160 | | | | | |
| 0,6 | 48 | 64 | 64 | 80 | 100 | 100 | 128 | 160 | 160 | | | | |
| 0,8 | 48 | 48 | 64 | 80 | 80 | 100 | 128 | 128 | 160 | | | | |
| 1,0 | 40 | 48 | 64 | 64 | 80 | 100 | 100 | 128 | 160 | 160 | 200 | | |
| 1,2 | 40 | 48 | 48 | 64 | 80 | 80 | 100 | 128 | 128 | 160 | 200 | | |
| 1,6 | 40 | 40 | 48 | 64 | 64 | 80 | 100 | 100 | 128 | 160 | 160 | 200 | |
| 2,0 | 32 | 40 | 48 | 48 | 64 | 80 | 80 | 100 | 128 | 128 | 160 | 200 | |
| 2,5 | 32 | 40 | 40 | 48 | 64 | 64 | 80 | 100 | 100 | 128 | 160 | 160 | 200 |
| 3,0 | 32 | 32 | 40 | 48 | 48 | 64 | 80 | 80 | 100 | 128 | 128 | 160 | 200 |
| 4,0 | 24 | 32 | 40 | 40 | 48 | 64 | 64 | 80 | 100 | 100 | 128 | 160 | 160 |
| 5,0 | 24 | 32 | 32 | 40 | 48 | 48 | 64 | 80 | 80 | 100 | 128 | 128 | 160 |
| 6,0 | 24 | 24 | 32 | 40 | 40 | 48 | 64 | 64 | 80 | 100 | 100 | 128 | 160 |

| DIN 1838 "B" Dentatura grossa / Coarse toothing / Grobgezahnt | | | | | | | | | |
|---|----|----|----|-----|-----|-----|-----|-----|-----|
| Ø | 50 | 63 | 80 | 100 | 125 | 160 | 200 | 250 | 315 |
| Foro centrale-Bore-Bohrung | 13 | 16 | 22 | 22 | 22 | 32 | 32 | 32 | 40 |
| Spessore-Thickness-Stärke | Z | Z | Z | Z | Z | Z | Z | Z | Z |
| 0,5 | 48 | 64 | 64 | 80 | | | | | |
| 0,6 | 48 | 48 | 64 | 80 | 80 | | | | |
| 0,8 | 40 | 48 | 64 | 64 | 80 | | | | |
| 1,0 | 40 | 48 | 48 | 64 | 80 | 80 | 100 | | |
| 1,2 | 40 | 40 | 48 | 64 | 64 | 80 | 100 | | |
| 1,6 | 32 | 40 | 48 | 48 | 64 | 80 | 80 | 100 | |
| 2,0 | 32 | 40 | 40 | 48 | 64 | 64 | 80 | 100 | |
| 2,5 | 32 | 32 | 40 | 48 | 48 | 64 | 80 | 80 | 100 |
| 3,0 | 24 | 32 | 40 | 40 | 48 | 64 | 64 | 80 | 100 |
| 4,0 | 24 | 32 | 32 | 40 | 48 | 48 | 64 | 80 | 80 |
| 5,0 | 24 | 24 | 32 | 40 | 40 | 48 | 64 | 64 | 80 |
| 6,0 | 20 | 24 | 32 | 32 | 40 | 48 | 48 | 64 | 80 |

| DIN 1838 "C" Dentatura grossa / Coarse toothing / Grobgezahnt | | | | | | | | | |
|---|----|----|----|-----|-----|-----|-----|-----|-----|
| Ø | 50 | 63 | 80 | 100 | 125 | 160 | 200 | 250 | 315 |
| Foro centrale-Bore-Bohrung | 13 | 16 | 22 | 22 | 22 | 32 | 32 | 32 | 40 |
| Spessore-Thickness-Stärke | Z | Z | Z | Z | Z | Z | Z | Z | Z |
| 1,0 | 40 | 48 | 48 | 64 | 80 | 80 | 100 | | |
| 1,2 | 40 | 40 | 48 | 64 | 64 | 80 | 100 | | |
| 1,6 | 32 | 40 | 48 | 48 | 64 | 80 | 80 | 100 | |
| 2,0 | 32 | 40 | 40 | 48 | 64 | 64 | 80 | 100 | |
| 2,5 | 32 | 32 | 40 | 48 | 48 | 64 | 80 | 80 | 100 |
| 3,0 | 24 | 32 | 40 | 40 | 48 | 64 | 64 | 80 | 100 |
| 4,0 | 24 | 32 | 32 | 40 | 48 | 48 | 64 | 80 | 80 |
| 5,0 | 24 | 24 | 32 | 40 | 40 | 48 | 64 | 64 | 80 |
| 6,0 | 20 | 24 | 32 | 32 | 40 | 48 | 48 | 64 | 80 |

| Seghe circolari DIN per macchine "GF" [®] DIN circular saw blades for "GF" [®] machines / DIN Kreissägeblätter für "GF" [®] Maschinen | | | |
|---|---------------------------|----------------------------|----|
| Ø | Spessore Thickness Stärke | Foro Centrale Bore Bohrung | Z |
| 63 | 1,6 | 16 | 44 |
| 63 | 1,6 | 16 | 64 |
| 68 | 1,6 | 16 | 44 |
| 68 | 1,6 | 16 | 64 |
| 68 | 1,6 | 16 | 84 |
| 80 | 1,8 | 16 | 64 |
| 80 | 1,8 | 16 | 80 |

- Le seghe DIN con Ø 20÷160 sono senza mozzo. Lame speciali su richiesta.
- DIN saw blades with Ø 20÷160 are considered without hub. Special saw blades upon request.
- Die DIN Sägeblätter Ø 20÷160 sind ohne Nabe. Sonderausführungen auf Anfrage.



- Le seghe circolari DIN in HSS possono essere sottoposte, a richiesta, a trattamento di rivestimento PVD.
- DIN saw blades in HSS can be coated upon request with PVD treatment.
- Die DIN Metallkreissägeblätter aus HSS können auf Anfrage auch mit PVD-Beschichtungen ausgeführt werden.
- Seghe circolari bianche in HSS-E M35/Co5
- Polished saw blades in HSS-E M35/Co5
- Blank Kreissägeblätter aus HSS-E M35/Co5

■ Seghe circolari DIN in metallo duro integrale

■ DIN circular saw blades in solid carbide ■ Vollhartmetall Kreissägeblätter

| DIN 1837 "A" Dentatura fine - Fine Toothing - Feingezahnt | | | | | | | | | | | | | | | | | |
|---|----|----|----|----|-----|-----|-----|-----|-----|-----|-----|-----|-----|-----|-----|-----|-----|
| Ø | 12 | 15 | 20 | 25 | 30 | 32 | 40 | 50 | 63 | 70 | 80 | 100 | 125 | 150 | 160 | 200 | 250 |
| Foro centrale/Bore/Bohrung | 5 | 5 | 5 | 8 | 8 | 8 | 10 | 13 | 16 | 16 | 22 | 22 | 22 | 32 | 32 | 32 | 32 |
| Spessore/Thickness/Stärke | Z | Z | Z | Z | Z | Z | Z | Z | Z | Z | Z | Z | Z | Z | Z | Z | Z |
| 0,20 | 48 | 64 | 80 | 80 | 100 | 100 | 128 | 128 | 160 | | | | | | | | |
| 0,25 | 48 | 64 | 64 | 80 | 100 | 100 | 100 | 128 | 128 | 160 | 160 | | | | | | |
| 0,30 | 48 | 64 | 64 | 80 | 80 | 80 | 100 | 128 | 128 | 160 | 160 | | | | | | |
| 0,35 | 48 | 64 | 64 | 64 | 80 | 80 | 100 | 100 | 128 | 160 | 160 | | | | | | |
| 0,40 | 48 | 64 | 64 | 64 | 80 | 80 | 100 | 100 | 128 | 128 | 160 | 160 | 160 | | | | |
| 0,45 | 40 | 48 | 48 | 64 | 80 | 80 | 80 | 100 | 128 | 128 | 128 | 160 | 160 | | | | |
| 0,50 | 40 | 48 | 48 | 64 | 80 | 80 | 80 | 100 | 128 | 128 | 128 | 160 | 160 | | | | |
| 0,60 | 40 | 48 | 48 | 64 | 64 | 64 | 80 | 100 | 100 | 100 | 128 | 160 | 160 | | | | |
| 0,70 | 40 | 48 | 48 | 48 | 64 | 64 | 80 | 80 | 100 | 100 | 128 | 128 | 160 | 150 | | | |
| 0,80 | 32 | 40 | 40 | 48 | 64 | 64 | 80 | 80 | 100 | 100 | 128 | 128 | 160 | 150 | 160 | | |
| 0,90 | 32 | 40 | 40 | 48 | 64 | 64 | 64 | 80 | 100 | 100 | 100 | 128 | 160 | 150 | 160 | | |
| 1,00 | 32 | 40 | 40 | 48 | 64 | 64 | 64 | 80 | 100 | 100 | 100 | 128 | 160 | 150 | 160 | | |
| 1,10 | 32 | 40 | 40 | 48 | 48 | 48 | 64 | 80 | 80 | 80 | 100 | 128 | 128 | 150 | 160 | | |
| 1,20 | 32 | 40 | 40 | 48 | 48 | 48 | 64 | 80 | 80 | 80 | 100 | 128 | 128 | 150 | 160 | 200 | |
| 1,30 | 32 | 40 | 40 | 40 | 48 | 48 | 64 | 64 | 80 | 80 | 100 | 100 | 128 | 150 | 160 | 200 | |
| 1,40 | 32 | 40 | 40 | 40 | 48 | 48 | 64 | 64 | 80 | 80 | 100 | 100 | 128 | 150 | 160 | 200 | |
| 1,50 | 32 | 40 | 40 | 40 | 48 | 48 | 64 | 64 | 80 | 80 | 100 | 100 | 128 | 150 | 160 | 200 | |
| 1,60 | 32 | 40 | 40 | 40 | 48 | 48 | 64 | 64 | 80 | 80 | 100 | 100 | 128 | 150 | 160 | 160 | |
| 1,70 | 24 | 28 | 32 | 40 | 48 | 48 | 48 | 64 | 80 | 80 | 80 | 100 | 128 | 128 | 160 | 160 | |
| 1,80 | 24 | 28 | 32 | 40 | 48 | 48 | 48 | 64 | 80 | 80 | 80 | 100 | 128 | 128 | 128 | 160 | |
| 1,90 | 24 | 28 | 32 | 40 | 48 | 48 | 48 | 64 | 80 | 80 | 80 | 100 | 128 | 128 | 128 | 160 | |
| 2,00 | 24 | 28 | 32 | 40 | 48 | 48 | 48 | 64 | 80 | 80 | 80 | 100 | 128 | 128 | 128 | 160 | 200 |
| 2,50 | 24 | 28 | 32 | 40 | 40 | 40 | 48 | 64 | 80 | 64 | 80 | 100 | 100 | 128 | 128 | 160 | 160 |
| 3,00 | 24 | 28 | 32 | 32 | 40 | 40 | 48 | 48 | 64 | 64 | 80 | 100 | 100 | 128 | 128 | 128 | 160 |
| 4,00 | 20 | 24 | 24 | 32 | 40 | 40 | 40 | 48 | 64 | 64 | 64 | 80 | 100 | 100 | 100 | 128 | 160 |
| 5,00 | 20 | 24 | 24 | 32 | 32 | 32 | 40 | 48 | 48 | 64 | 64 | 80 | 80 | 100 | 100 | 128 | 128 |
| 6,00 | 20 | 24 | 24 | 32 | 32 | 32 | 40 | 40 | 48 | 64 | 64 | 64 | 80 | 100 | 100 | 128 | 128 |

| DIN 1838 "B" Dentatura grossa - Coarse toothing - Grobgezahnt | | | | | | | | | | | | | | | | | |
|---|----|----|----|----|----|----|----|----|----|----|----|-----|-----|-----|-----|-----|-----|
| Ø | 12 | 15 | 20 | 25 | 30 | 32 | 40 | 50 | 63 | 70 | 80 | 100 | 125 | 150 | 160 | 200 | 250 |
| Foro centrale/Bore/Bohrung | 5 | 5 | 5 | 8 | 8 | 8 | 10 | 13 | 16 | 16 | 22 | 22 | 22 | 32 | 32 | 32 | 32 |
| Spessore/Thickness/Stärke | Z | Z | Z | Z | Z | Z | Z | Z | Z | Z | Z | Z | Z | Z | Z | Z | Z |
| 0,20 | 16 | 24 | 32 | 32 | 32 | 32 | 48 | 48 | 64 | | | | | | | | |
| 0,25 | 16 | 24 | 32 | 32 | 32 | 32 | 48 | 48 | 64 | 64 | 64 | | | | | | |
| 0,30 | 16 | 24 | 32 | 32 | 32 | 32 | 48 | 48 | 64 | 64 | 64 | | | | | | |
| 0,35 | 16 | 24 | 32 | 32 | 32 | 32 | 48 | 48 | 64 | 64 | 64 | | | | | | |
| 0,40 | 16 | 24 | 32 | 32 | 32 | 32 | 48 | 48 | 64 | 64 | 64 | 80 | | | | | |
| 0,45 | 16 | 20 | 24 | 24 | 24 | 24 | 40 | 48 | 64 | 64 | 64 | 80 | | | | | |
| 0,50 | 16 | 20 | 24 | 24 | 24 | 24 | 40 | 48 | 64 | 64 | 64 | 80 | 80 | | | | |
| 0,60 | 16 | 20 | 24 | 24 | 24 | 24 | 40 | 48 | 48 | 48 | 64 | 80 | 80 | | | | |
| 0,70 | 16 | 20 | 24 | 24 | 24 | 24 | 40 | 40 | 48 | 48 | 64 | 64 | 80 | 80 | | | |
| 0,80 | 16 | 20 | 24 | 24 | 24 | 24 | 40 | 40 | 48 | 48 | 64 | 64 | 80 | 80 | 80 | | |
| 0,90 | 16 | 16 | 20 | 20 | 20 | 24 | 32 | 40 | 48 | 48 | 64 | 64 | 80 | 80 | 80 | | |
| 1,00 | 16 | 16 | 20 | 20 | 20 | 24 | 32 | 40 | 48 | 48 | 64 | 64 | 80 | 80 | 80 | | |
| 1,10 | 16 | 16 | 20 | 20 | 20 | 24 | 32 | 40 | 40 | 40 | 48 | 64 | 64 | 80 | 80 | | |
| 1,20 | 16 | 16 | 20 | 20 | 20 | 24 | 32 | 40 | 40 | 40 | 48 | 64 | 64 | 80 | 80 | 100 | |
| 1,30 | 16 | 16 | 20 | 20 | 20 | 20 | 32 | 32 | 40 | 40 | 48 | 48 | 64 | 80 | 80 | 100 | |
| 1,40 | 12 | 16 | 20 | 20 | 20 | 20 | 32 | 32 | 40 | 40 | 48 | 48 | 64 | 80 | 80 | 80 | |
| 1,50 | 12 | 16 | 20 | 20 | 20 | 20 | 32 | 32 | 40 | 40 | 48 | 48 | 64 | 80 | 80 | 80 | |
| 1,60 | 12 | 16 | 20 | 20 | 20 | 20 | 32 | 32 | 40 | 40 | 48 | 48 | 64 | 64 | 80 | 80 | |
| 1,70 | 12 | 16 | 20 | 20 | 20 | 20 | 32 | 32 | 40 | 40 | 40 | 48 | 64 | 64 | 80 | 80 | |
| 1,80 | 12 | 12 | 16 | 16 | 20 | 20 | 24 | 32 | 40 | 40 | 40 | 48 | 64 | 64 | 80 | 80 | |
| 1,90 | 12 | 12 | 16 | 16 | 20 | 20 | 24 | 32 | 40 | 40 | 40 | 48 | 64 | 64 | 80 | 80 | |
| 2,00 | 12 | 12 | 16 | 16 | 20 | 20 | 24 | 32 | 40 | 40 | 40 | 48 | 64 | 64 | 64 | 80 | 100 |
| 2,50 | 12 | 12 | 16 | 16 | 20 | 20 | 24 | 32 | 32 | 32 | 40 | 48 | 48 | 64 | 64 | 80 | 80 |
| 3,00 | 12 | 12 | 16 | 16 | 18 | 20 | 24 | 24 | 32 | 32 | 40 | 40 | 48 | 64 | 64 | 64 | 80 |
| 4,00 | 12 | 12 | 16 | 16 | 18 | 18 | 20 | 24 | 32 | 32 | 32 | 40 | 48 | 64 | 64 | 64 | 80 |
| 5,00 | 12 | 12 | 16 | 16 | 18 | 18 | 20 | 24 | 24 | 24 | 32 | 40 | 40 | 48 | 64 | 64 | 80 |
| 6,00 | 12 | 12 | 16 | 16 | 18 | 18 | 20 | 20 | 24 | 24 | 32 | 32 | 40 | 48 | 48 | 64 | 80 |

■ Le seghe circolari DIN in HM possono essere sottoposte, a richiesta, a trattamento di rivestimento PVD.

■ Din saw blades in solid carbide can be coated upon request with PVD treatment.

■ Die Vollhartmetall Kreissägeblätter können auf Anfrage auch mit PVD-Beschichtungen ausgeführt werden.